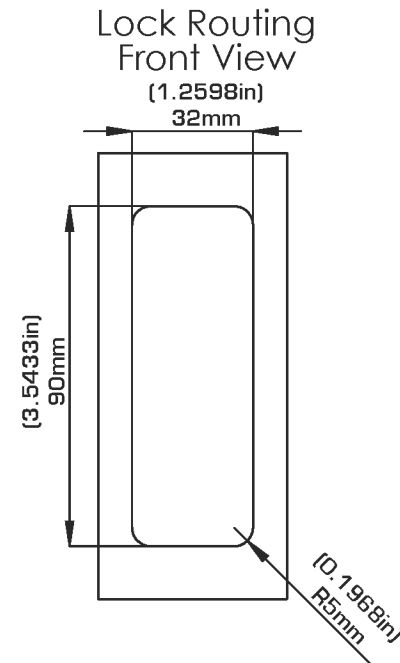
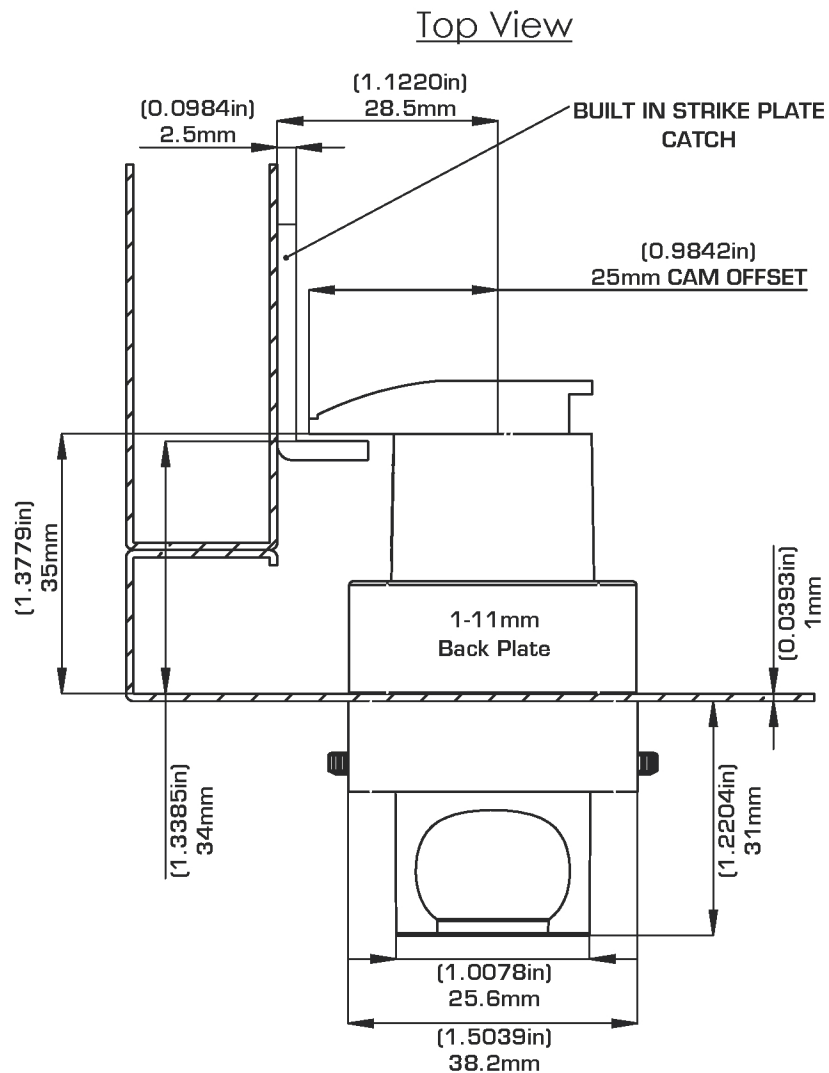
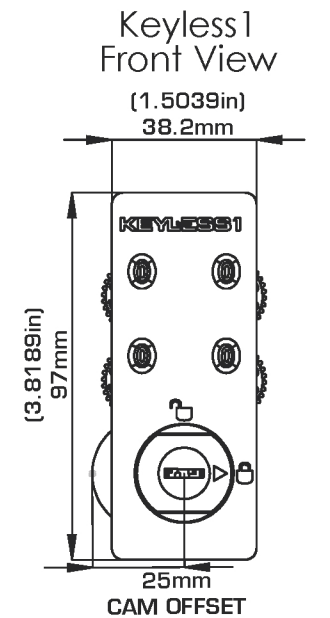
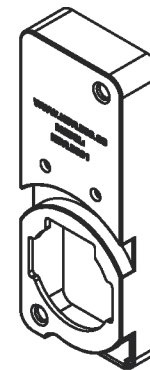


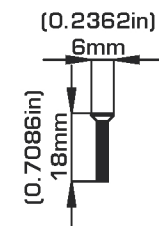
This diagram represents common lock placement for 1-11mm thick locker doors. If measurements do not match up to your lockers, we are glad to help accommodate your needs. Please reach out to us at the phone number below for any assistance.



1-11mm Back Plate



M3x18mm Screw (x2)



KEYLESS.CO

Office: +1.972.331.2770
 info@keyless.co
 www.keyless.co

DRAWING
 SCALE 1:1 & 1:2

**Keyless1 Installation for
 1-11mm door thickness**