

KL10

Public Function - Installation and Operating Instructions

SPECIAL NOTES

Please read carefully:

- Before installing the lock, familiarise yourself with the installation and operating instructions.
- The factory preset combination is 0-0-0-0.
- Your KitLock is supplied ready to fit to doors up to 18mm ($11/16$ ") thick.

FITTING INSTRUCTIONS

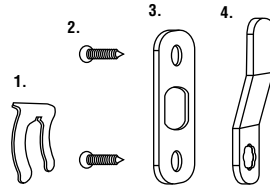
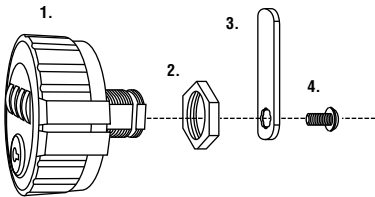
The KitLock can be fitted to cabinets, cupboards and lockers etc. as a direct replacement for existing cam locks. It can also be fitted easily to cupboards and cabinets that do not have an existing locking device.

Fixing Pack A Default Supply

- | | |
|---------------|--------------------|
| 1 KitLock | 3 Straight cam x 1 |
| 2 Hex nut x 1 | 4 Screw x 1 |

Fixing Pack B Optional Additional Fixings

- | | |
|------------------|-----------------|
| 1 Metal Clip x 1 | 3 Washer x 1 |
| 2 Screws x 2 | 4 Crank Cam x 1 |



INSTALLATION GUIDE

A Replace existing cam lock with KitLock

- Step 1 Remove existing cam lock.
.....
- Step 2 Fit the KitLock to the door, passing the spindle through the existing hole.
.....
- Step 3 Now secure the lock by threading the hex nut onto the spindle.
.....
- Step 4 Fit cam and secure with screw.
.....
- Step 5 Now check the operation of the lock using the factory preset combination 0-0-0-0.
.....
- Step 6 If the lock is functioning correctly, change the code using the instructions overleaf.

B New Installation

N.B. Optional **Fixing Pack B** (above) may be required.

- Step 1 Mark a position at a suitable distance from the door edge, ensuring enough clearance for the cam to work.
.....
- Step 2 Using the 'Typical Door Prep.' dimensions (see overleaf), drill a hole to suit.
.....
- Step 3 Continue installation from step 2 to 6, left.

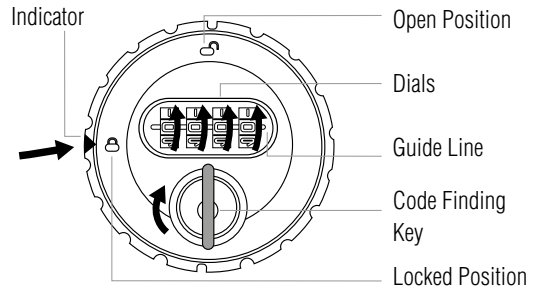
USING THE LOCK

- 1 With the indicator in the open position, turn the dials to the factory preset combination 0-0-0-0.
Note: If you have already changed the code, use your current combination for this step.
- 2 Turn the dials to your desired combination. Once you have chosen and set your combination, turn the outer casing so the indicator is in the locked position.
- 3 Make a note of your chosen combination and scramble the dials. The lock is now locked.
- 4 To reopen, rotate the dials to your chosen combination and turn the outer casing so the indicator is in the open position.

FINDING THE CODE

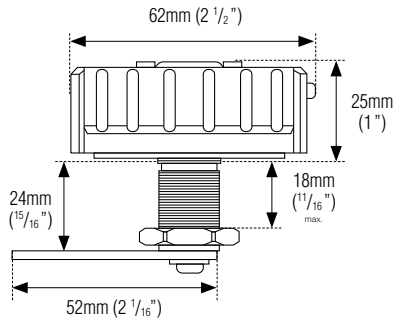
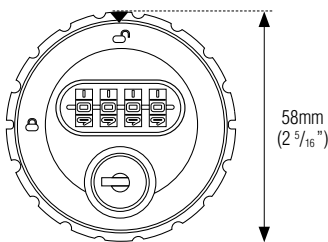
Note This function requires the Code Finding Key (sold separately).

- 1 Insert the Code Finding Key when the indicator is in the locked position.
- 2 Turn the key clockwise 90 degrees.
- 3 Gently rotate each dial upwards until it stops. This is your code.
- 4 Turn the key anticlockwise 90 degrees and remove.

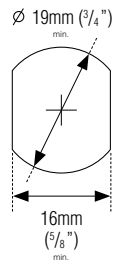


DIMENSIONS

KL10



Typical Door Prep.



CODELOCKS Ltd. UK CODELOCKS EU B.V. CODELOCKS Inc. US CODELOCKS (Australia) PTY LTD

sales@codelocks.com

sales@codelocks.eu

sales@codelocks.us

sales@codelocks.com.au

www.codelocks.com

www.codelocks.eu

www.codelocks.us

www.codelocks.com.au

Helpline, service & spares

Helpline, service & spares

Helpline, service & spares

Helpline, service & spares

Phone: 0800 393 405

Phone: +31 53 80 80 118

Toll free: 1.877.codelock

Toll free: 1800 052 131



CODELOCKS
control + convenience