



Narrow Body

Standard Body



Deadlatch | Motorized Rear



Deadbolt | Motorized Rear

TABLE OF CONTENTS

Wood Door Preparation

Required Components3
 Required Tools & Materials3
 Strike Installation Steps4
 Wood Door Drill Instructions5
 Hole Mounting Template.....5

Metal Door Preparation

Compatibility Guide6
 Removal of 3-hole Lock Plug6
 Removal of Padlock Hasp7

Nut Post - Cable Connector Installation

For door thickness measuring between 0.16" - 0.91" (4mm - 23mm)

Required Components8
 Installation.....8-9
 Lock Testing.....10

Screw Post - Pin Connector Installation

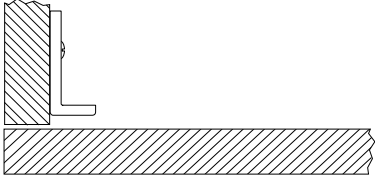
For door thickness measuring between 0.01" - 0.16" (0.2mm - 4mm)

Required Components11
 Installation..... 11-12
 Lock Testing.....13

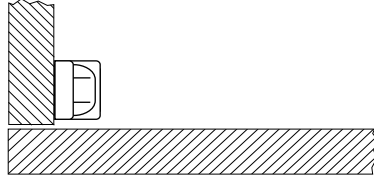
WOOD DOOR PREPARATION

This section is for new installations with wood, MDF, or non-metal doors.

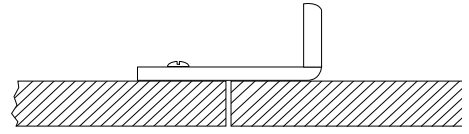
Required Components



Angled Strike Plate
General Purposes Use



Security Strike Plate
Recommended for latch products

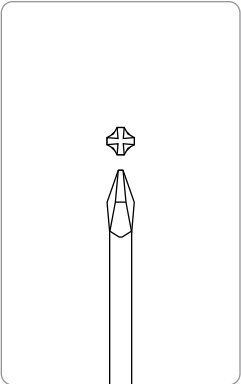


Double-Door Strike Plate
Requires a base latch on strike door (Not included)

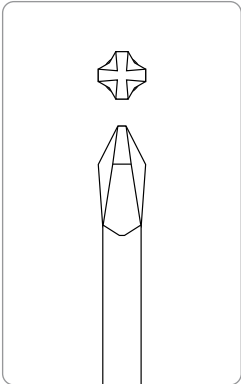
REQUIRED TOOLS & MATERIALS

*Not Included

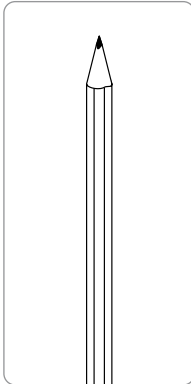
1 - Phillips Driver (#1)*



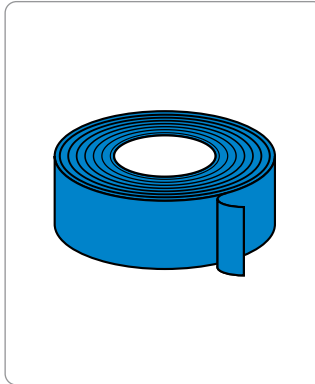
1 - Phillips Driver (#2)*



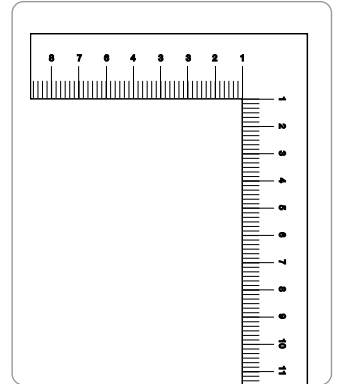
1 - Pencil*



Removable Tape*

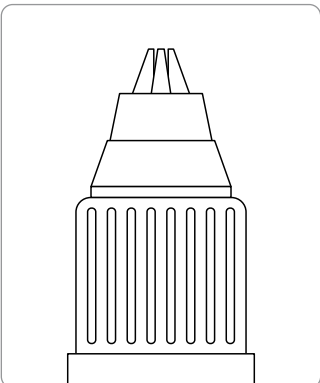


1 - Ruler*

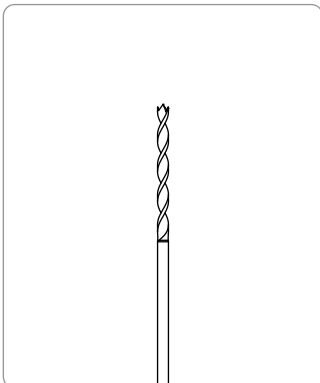


Recommended 90° Square

1 - Power Drill*

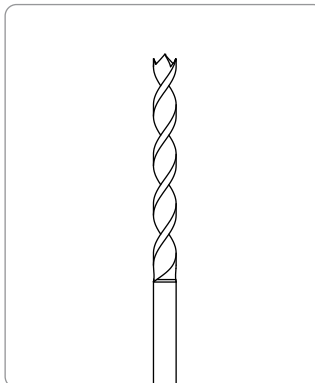


1 - 1/6" Wood Drill bit*



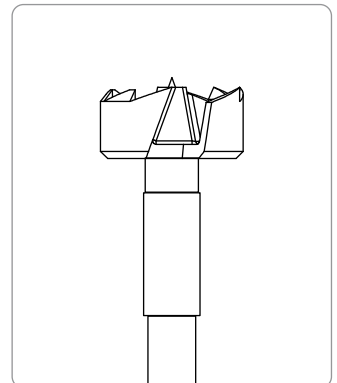
Recommended Brad Point Bit

1 - 3/32" Wood Drill bit*



Recommended Brad Point Bit

1 - 3/4" Wood Drill bit*

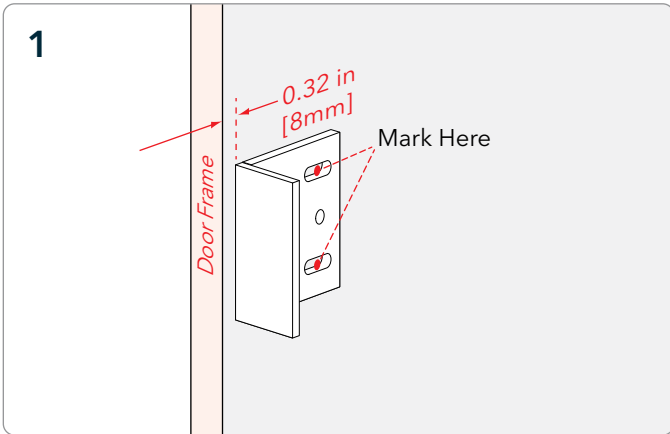


Recommended Forstner Bit

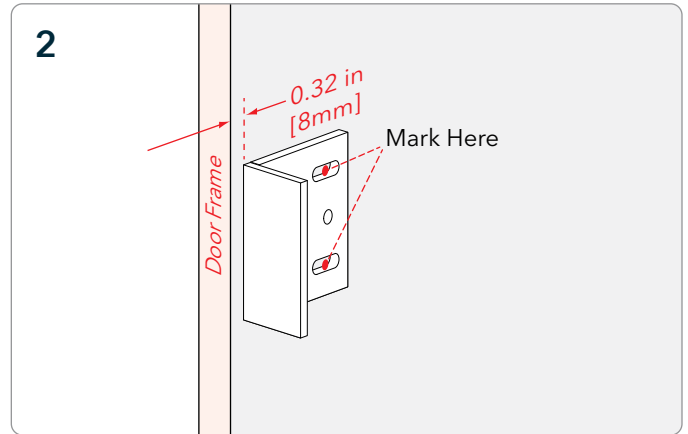
Note: It is recommended to only use torque 5 or lower if using a power drill to avoid overtightening.

STRIKE INSTALLATION STEPS

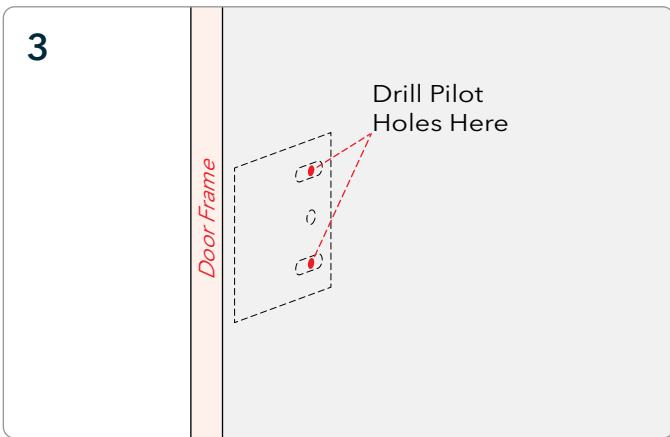
Shown below Angled Strike Plate



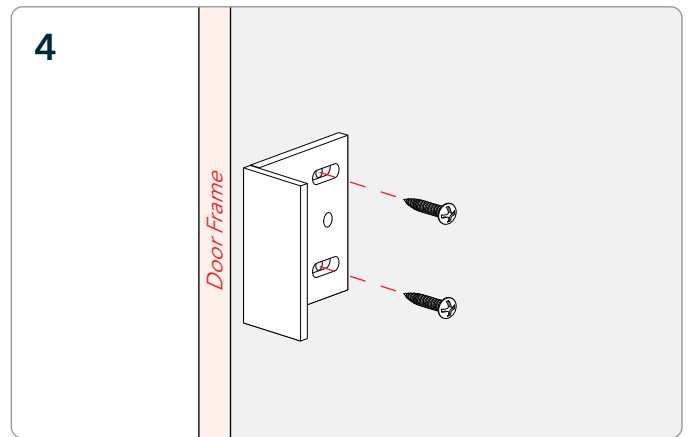
Position the strike plate on the door frame aligning it with the center of the lock's mounting holes.



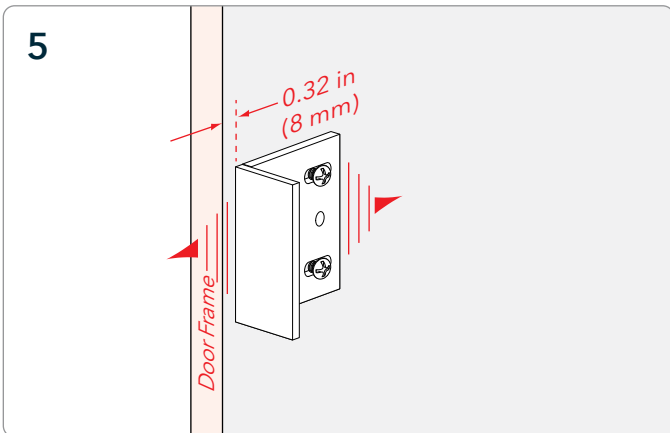
Allow 0.32" (8 mm) from door edge and mark the position of the adjustment slot holes.



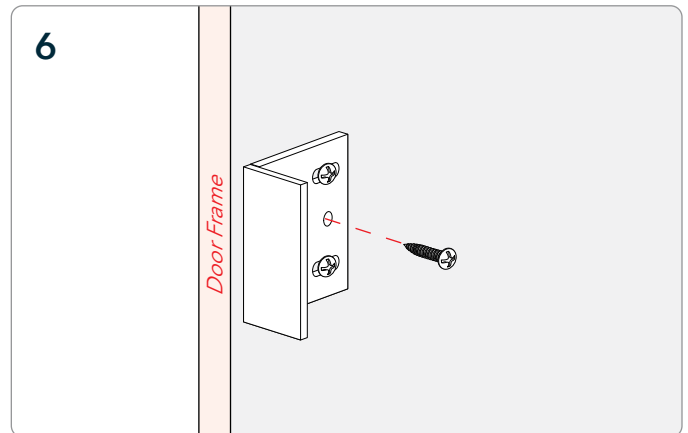
Drill 0.25" (6.35 mm) pilot holes using a 1/6" drill bit.



Position the strike plate and the self tapping screws into the adjustment slot holes. Do not tighten the screws.



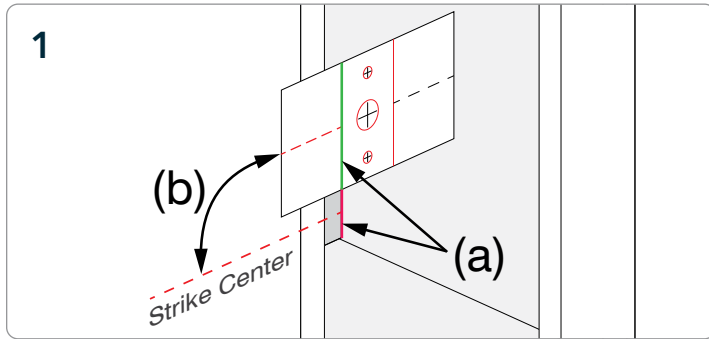
Adjust the strike plate to the proper position 0.32" (8 mm) from the door edge then tighten the self tapping screws.



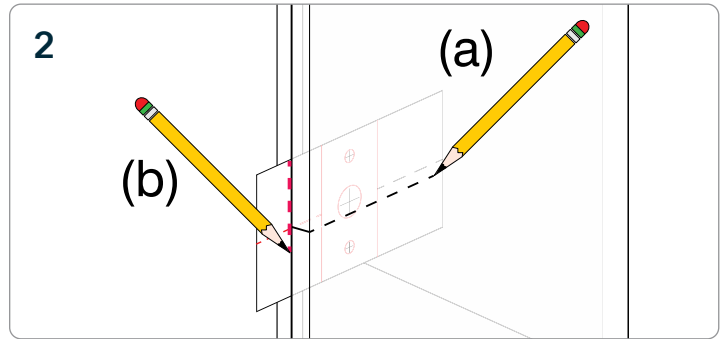
Insert and tighten the remaining self tapping screw into the center opening to secure strike position.

WOOD DOOR DRILLING INSTRUCTIONS

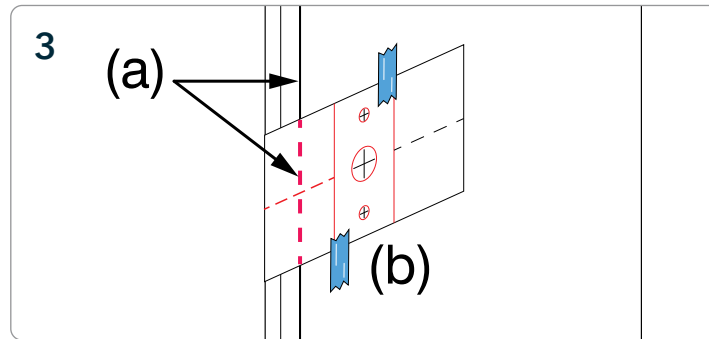
Door Mounting Holes Drill Instruction and Template



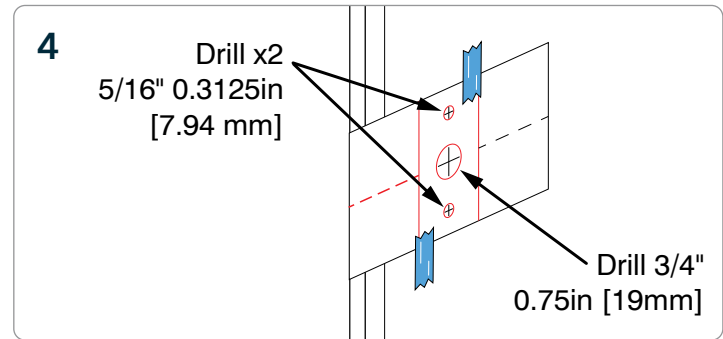
1 With the door open place the Template over the locker frame.
(a) Align the edge of Strike Plate with the Strike Plate Marker.
(b) Center the Template to the center of the Strike Plate.
You may secure the Template with removable tape.



2 Close the door over the Template.
(a) Mark the door edge at the Template Center Line.
(b) Mark the Template with the edge of the door.



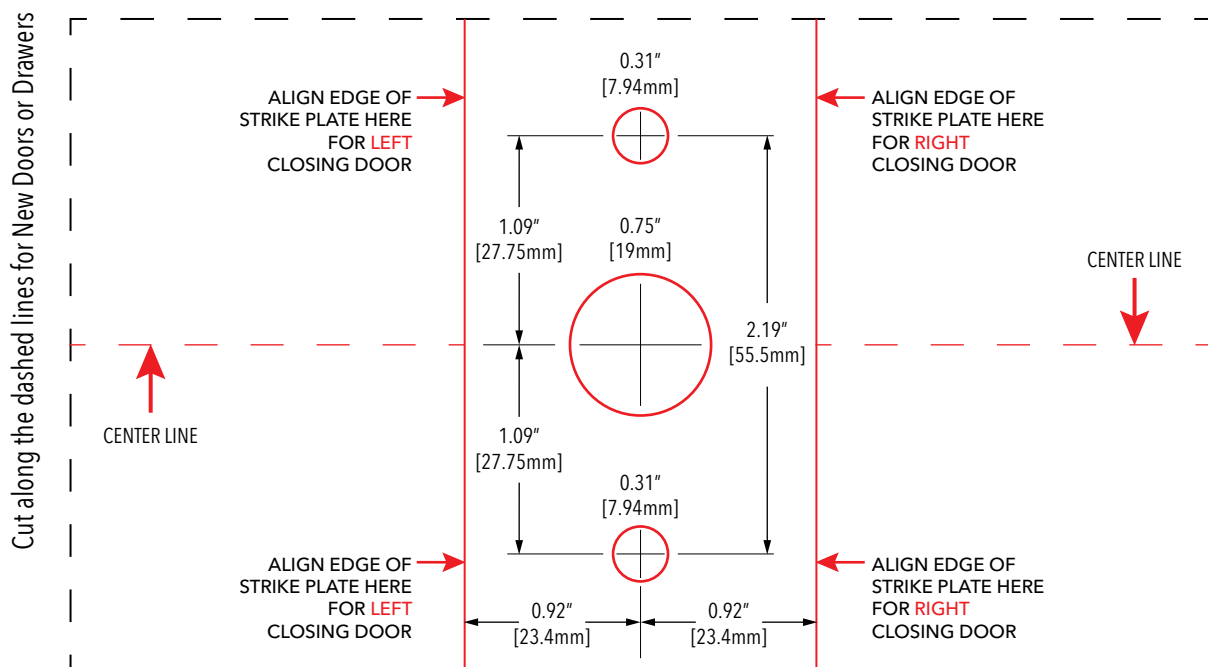
3 Place the Template on the front of the door.
(a) Align the drawn mark on the Template with the door edge.
(b) Center the Template with the mark on the door.
Secure the Template with removable tape.



4 Mark the center points of the door mounting holes on the front of the door. Drill the holes according to the specified dimensions.

HOLE MOUNTING TEMPLATE

⚠ Before printing, turn off auto scaling or "Fit to Paper" in your printer setup and print at 100% ⚠

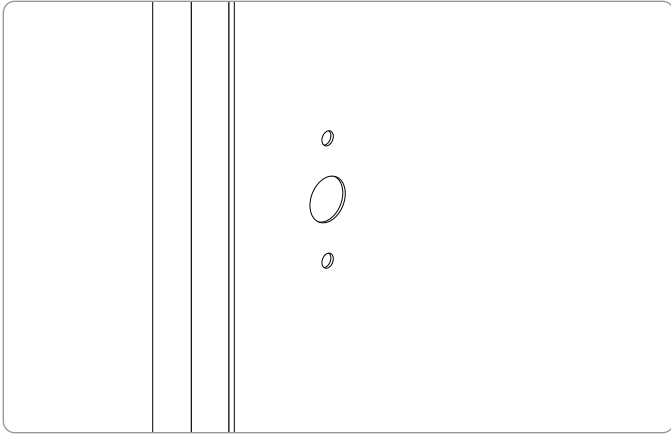


METAL DOOR PREPARATION

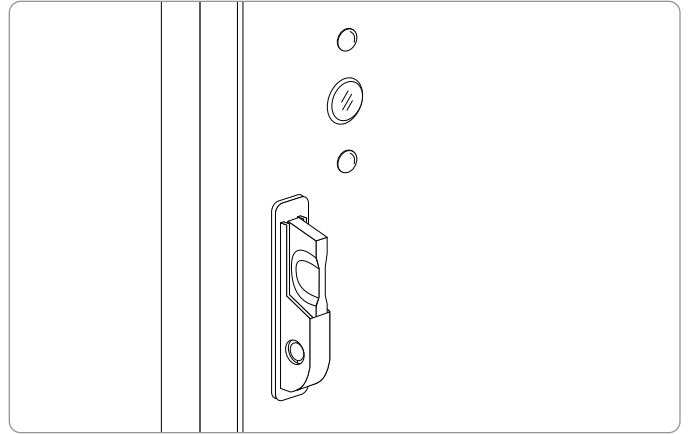
Digilock is compatible with a majority of 3-hole configuration, latch, and handle door types. Some doors may require modification to clear obstructions.

Types of Metal Box Locker Doors

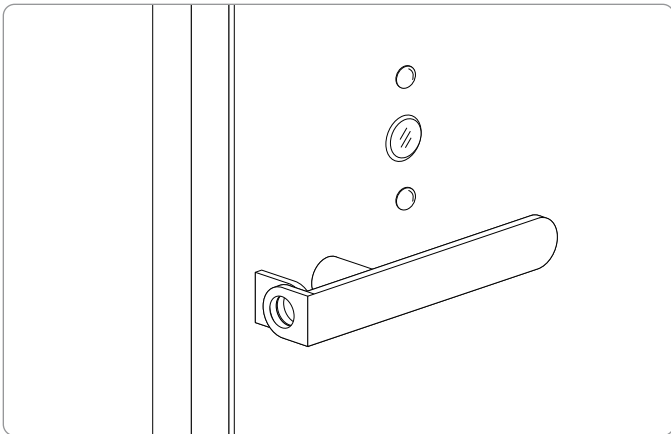
Single Point Latch



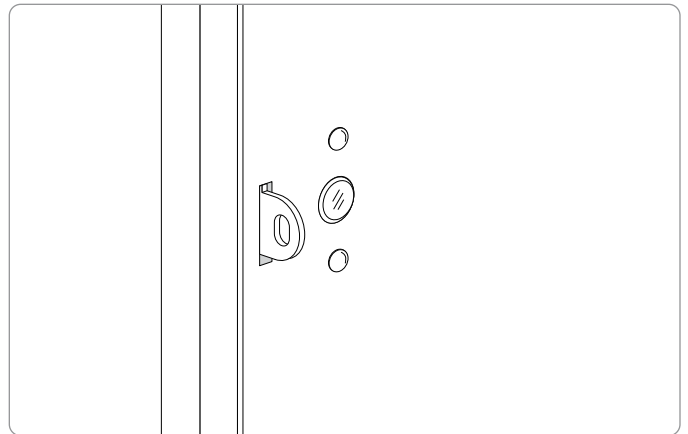
Standard Lift



Handle

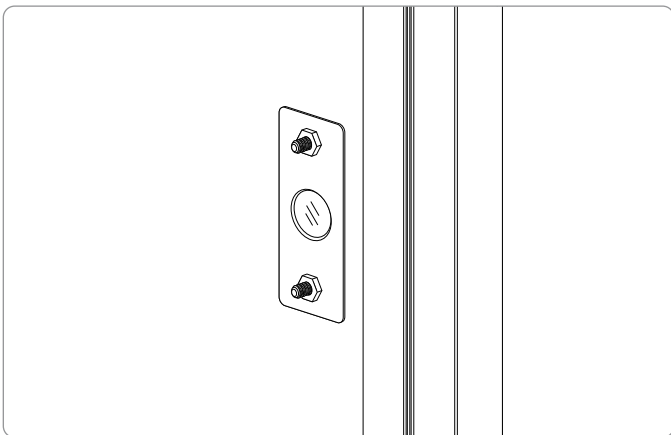


Box Locker Padlock Hasp

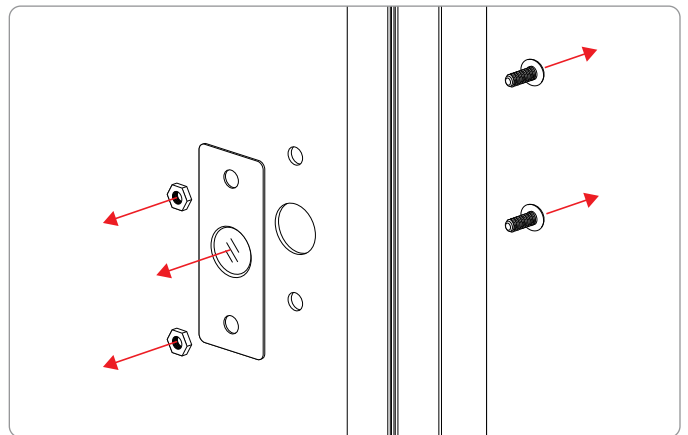


Common 3-Hole Lock Plug Removal Steps

Remove any obstructions to the door mounting holes.



Rear View of Locker Door with Lock Plug

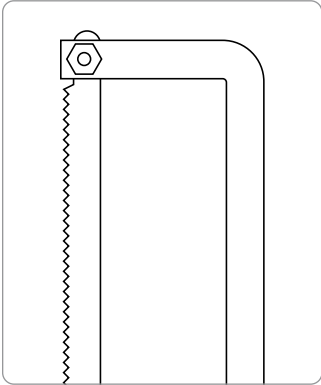


REMOVAL OF PADLOCK HASP

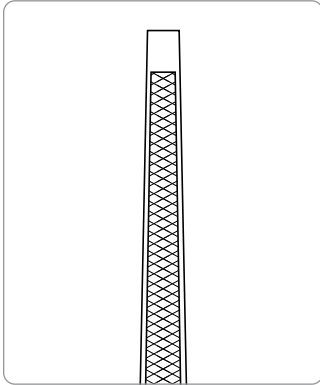
The padlock hasp must be removed

Required Tools

1 - Hack Saw*

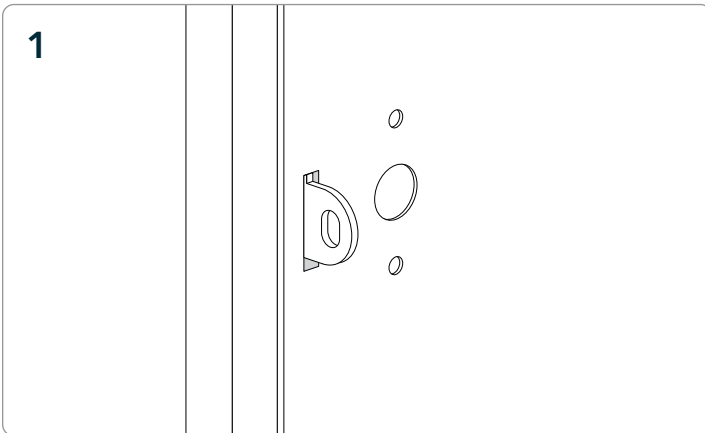


1 - Metal File*

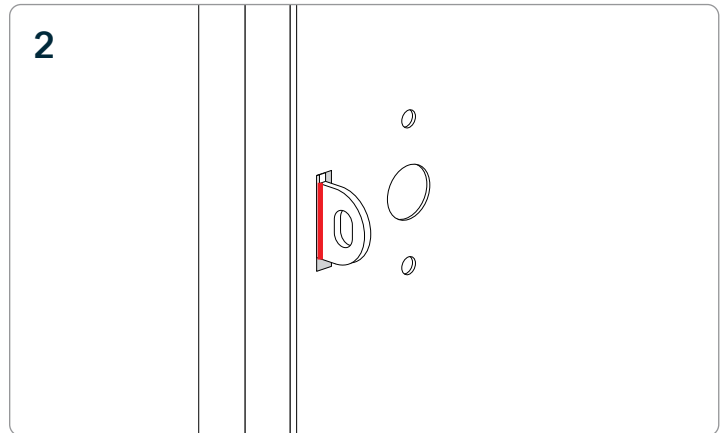


*Not Included

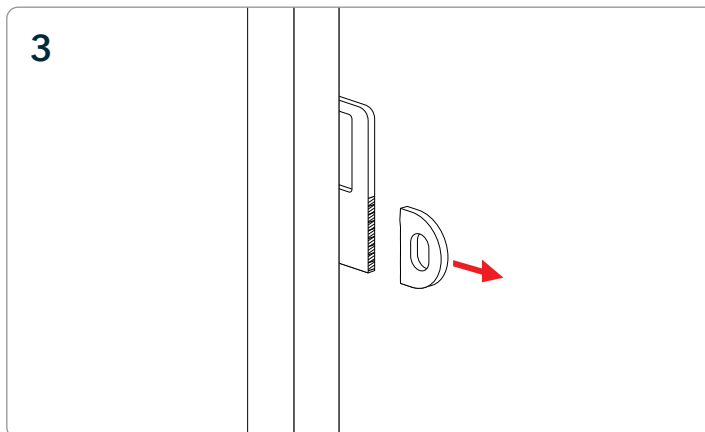
Hasp Removal Steps



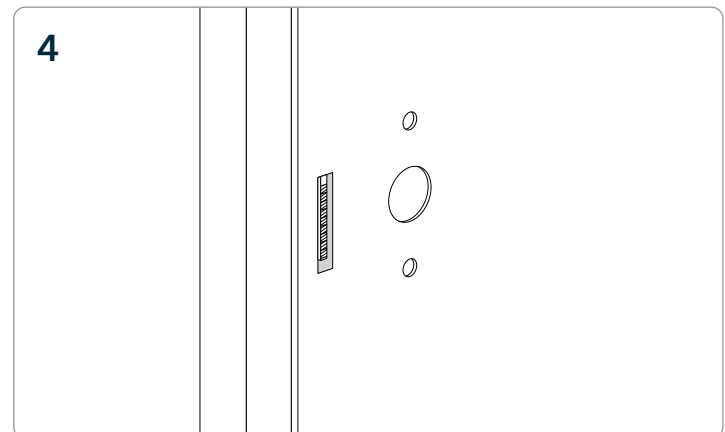
Close the door and make sure that nothing is protruding above the surface of the door.



Close the door and mark the area to cut the padlock hasp.



Open the door then cut the padlock hasp on the marked cut line.



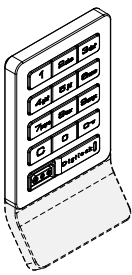
Smooth out rough or sharp edges.

NUT POST - CABLE CONNECTOR INSTALLATION


For door thickness measuring between 0.16" - 0.91" (4mm - 23mm)

Required Components

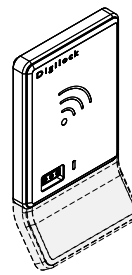
Front Unit




Keypad Standard Body



Keypad Vertical Body

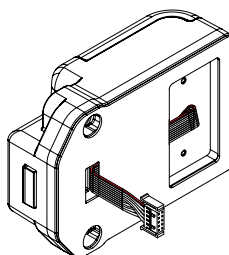


RFID Standard Body

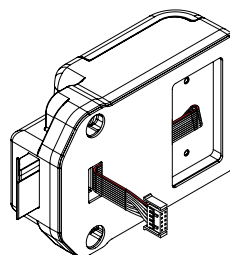


RFID Vertical Body

Rear Unit

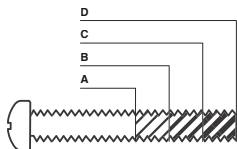
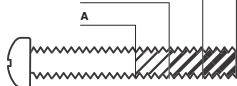



Deadbolt - Cable

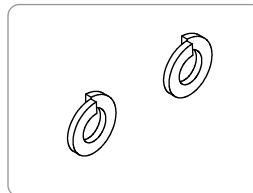


Deadlatch - Cable

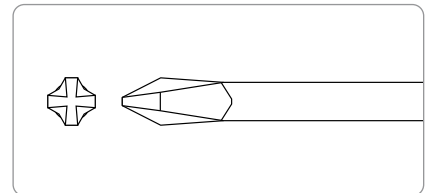
#10-24 Pan-Head Phillips Screws

	Screw Size	Length	Door Thickness	
			Min	Max
	A	5/8" (15.875 mm)	.01" (.2 mm)	.16" (4 mm)
	B	7/8" (22.225 mm)	.16" (4 mm)	.43" (11 mm)
	C	1 1/8" (28.575 mm)	.43" (11 mm)	.67" (17 mm)
	D	1 3/8" (34.925 mm)	.67" (17 mm)	.91" (23 mm)

2 - Split Lock Washers



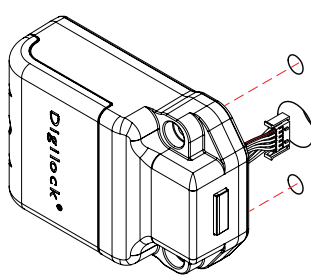
1* - Phillips Head Screwdriver (#2)



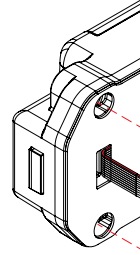
INSTALLATION STEPS

For illustration, a keypad front unit with a bolt rear unit is used.

1



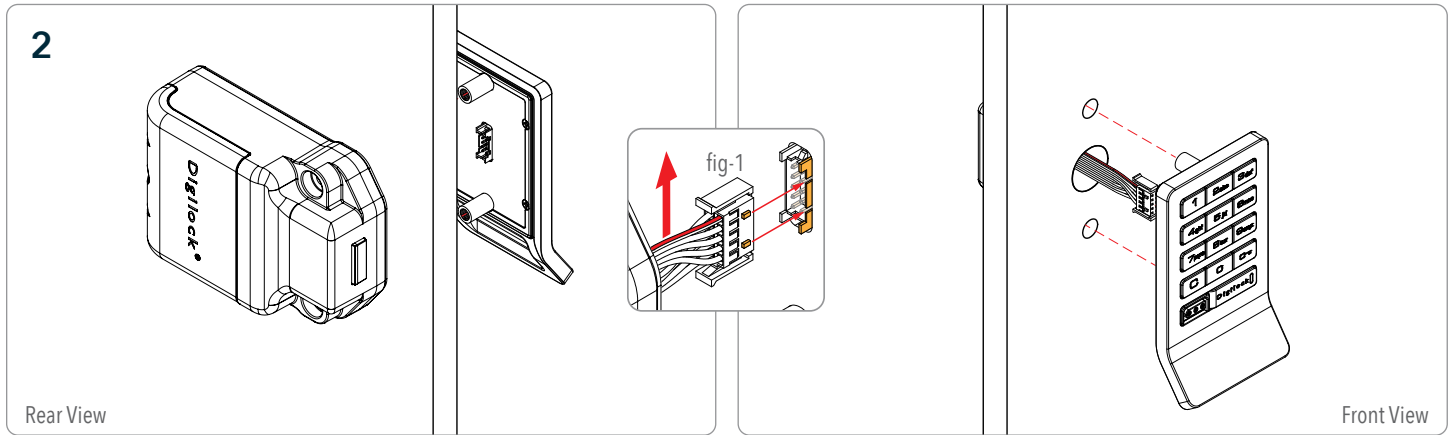
Rear View



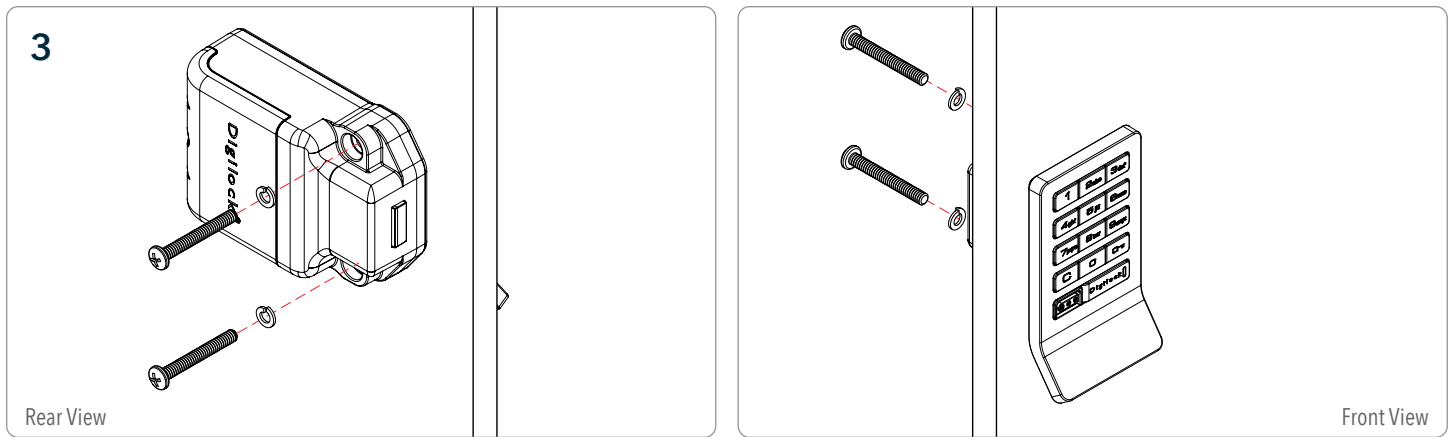
Front View

8 With the rear unit behind the door, extend the cable through the door's mounting hole.

INSTALLATION STEPS

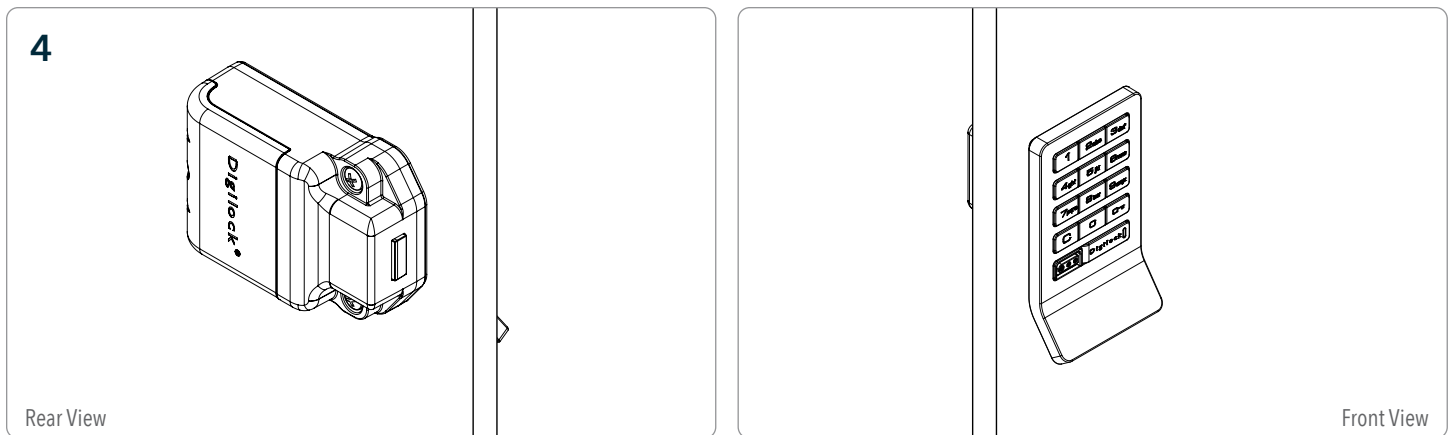


Orient the cable with the red wire position on the top of the ribbon (see fig-1). Attach the cable to the front unit using the corresponding channel guides to ensure the snap connector is properly secured. Once connected a triple beep indicates successful connection.



Hold the front and rear units against the door and secure with the mounting screws. Do not over tighten and ensure the remaining cable is not pinched.

Note: It is recommended to only use torque 5 or lower if using a power drill to avoid overtightening.

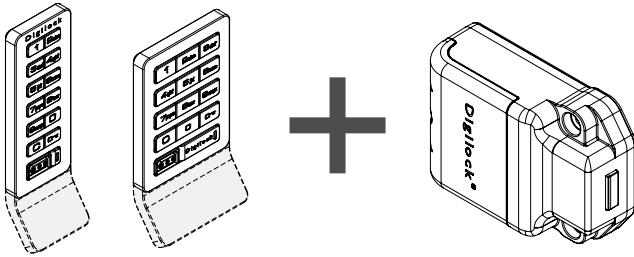


Test the lock while the door is open to ensure that the bolt or latch is operating properly. Refer to the testing instructions next page.

LOCK TESTING INSTRUCTIONS

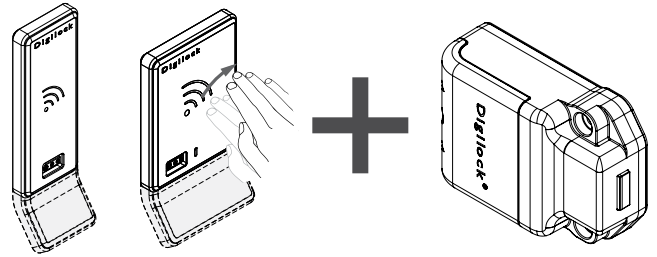
Required lock testing after installation

For keypad locks with deadbolt rear units:



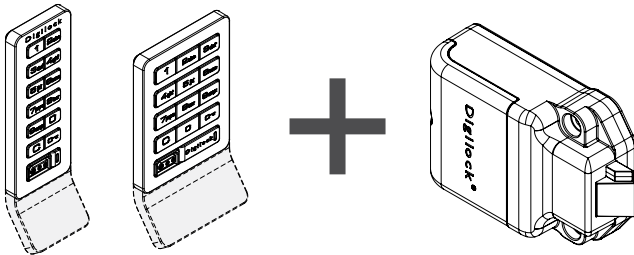
Press **C** **0-9** to extend the bolt.
 Press **C** **0-9** again to retract the bolt.

For touch-free RFID locks with deadbolt rear units:



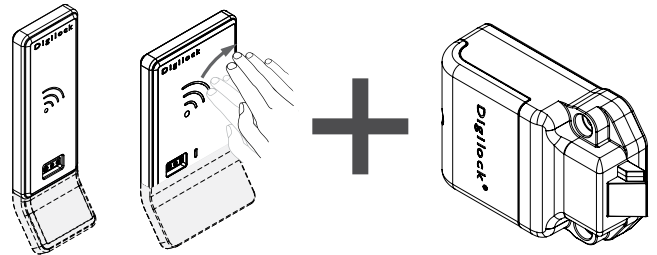
Present hand to reader to extend the bolt.
 Present hand to reader again to retract the bolt.

For keypad locks with deadlatch rear units:



Press **C** **0-9** to retract the latch.
 The latch will extend automatically.

For touch-free RFID locks with deadlatch rear units:



Present hand to reader to retract the latch.
 The latch will extend automatically.

Repeat test with the door closed.

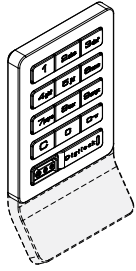
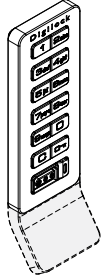
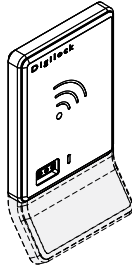
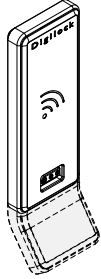
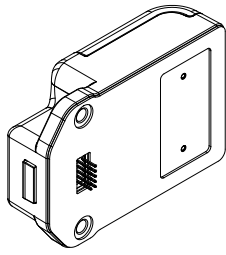
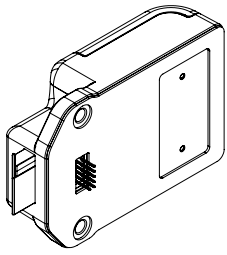
If ten rapid beeps are heard, the strike plate or door alignment may need adjustment to allow the lock to operate properly.

If the door does not lock when the bolt/latch is extended, the strike plate or lock position may need adjustment.

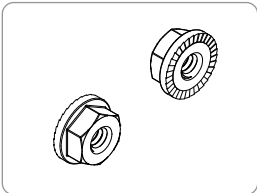
SCREW POST - PIN CONNECTOR INSTALLATION

For door thickness measuring between 0.01" - 0.16" (0.2mm - 4mm)

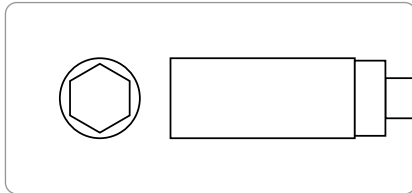
Required Components

Front Unit			
			
Keypad Standard Body	Keypad Vertical Body	RFID Standard Body	RFID Vertical Body
Rear Unit			
			
Deadbolt - Pin		Deadlatch - Pin	

2 - Locking Nuts

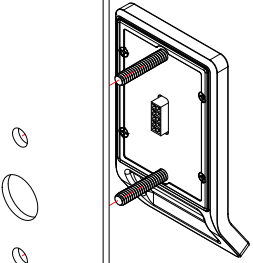
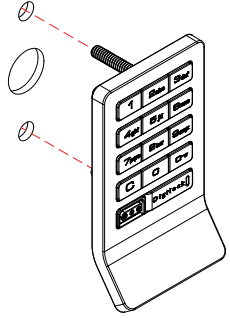


1* - Deep Socket Nut Driver (3/8")

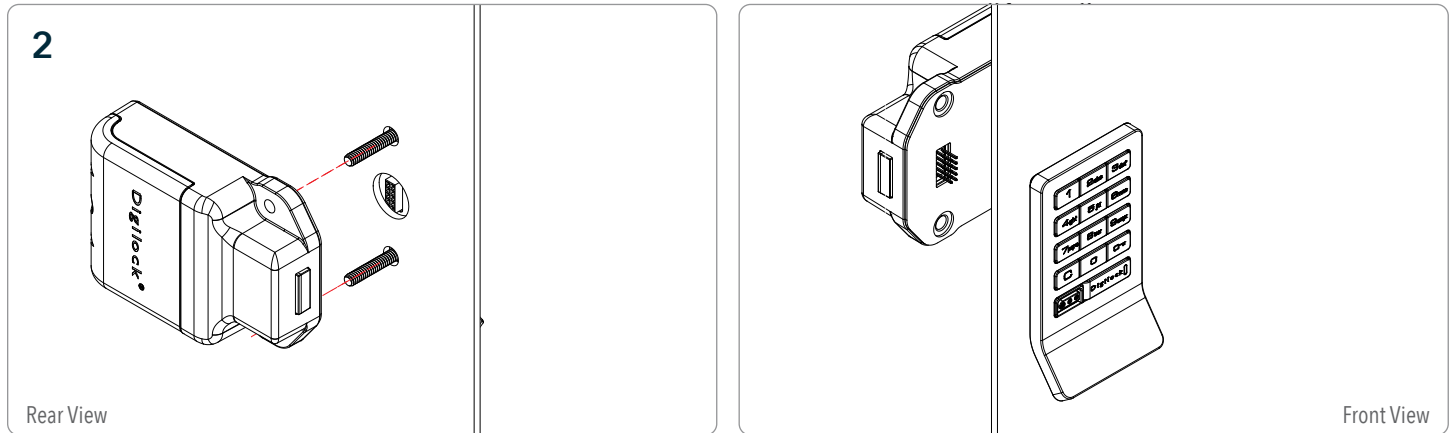


INSTALLATION STEPS

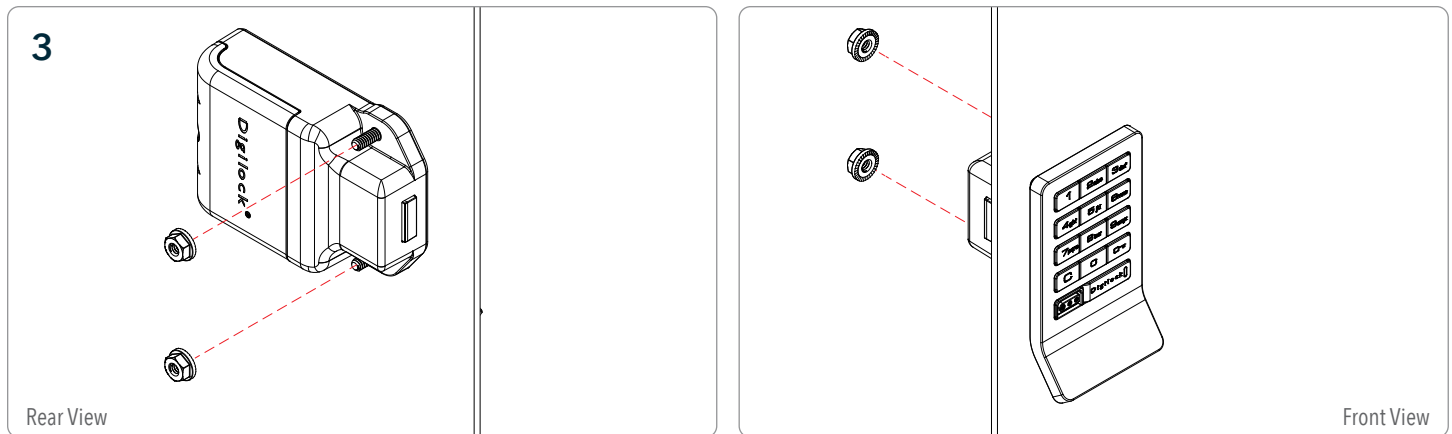
For illustration, a keypad front unit with a bolt rear unit is used.

<p>1</p>  <p>Rear View</p>	 <p>Front View</p>
--	---

INSTALLATION STEPS

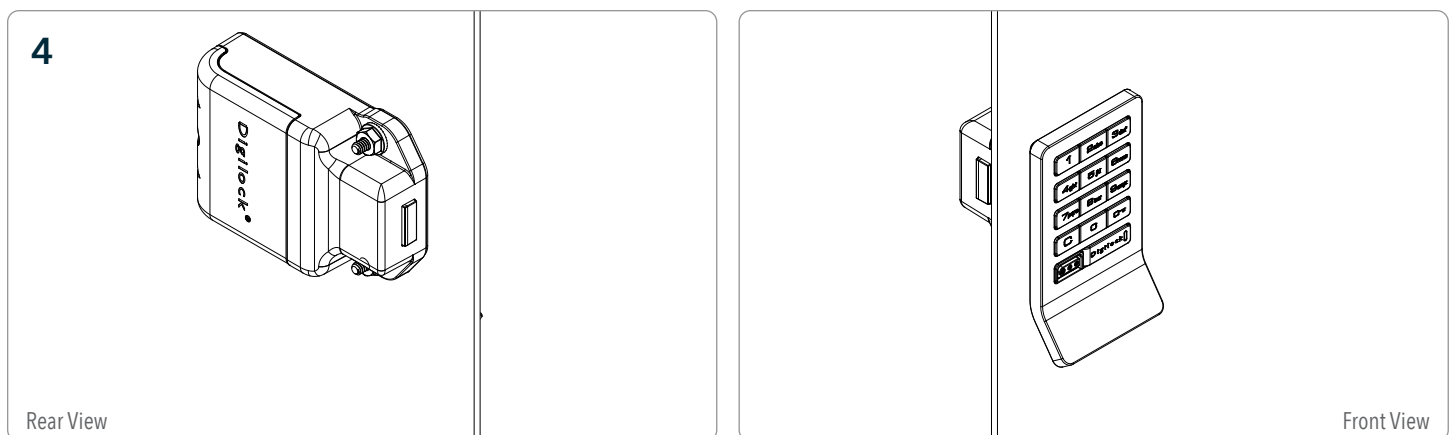


Hold the front unit against the front of the door. Use the rear unit mounting holes as a guide, then slide the front and rear units together. Make sure the connector pins align properly with the connector. If properly connected, a triple beep will be heard and the LED will flash three times.



Insert the locking nuts on the screw posts and tighten using the ratchet/screw gun. Do not over tighten.

Note: It is recommended to only use torque 5 or lower if using a power drill to avoid overtightening.

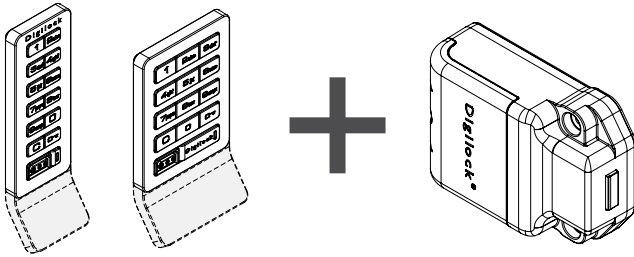


Test the lock while the door is open to ensure that the bolt or latch is operating properly. Refer to the testing instructions next page.

LOCK TESTING INSTRUCTIONS

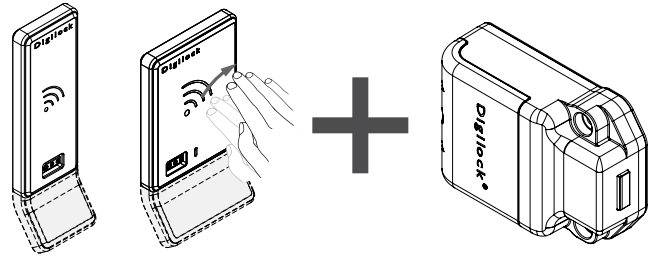
Required lock testing after installation

For keypad locks with deadbolt rear units:



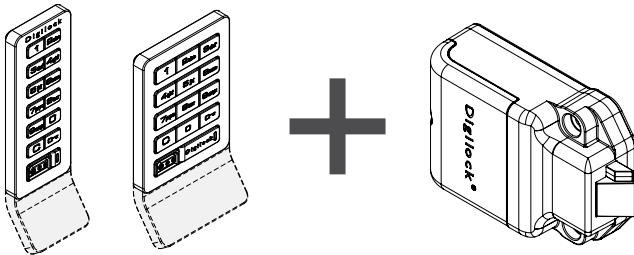
Press **C** **0** to extend the bolt.
Press **C** **0** again to retract the bolt.

For touch-free RFID locks with deadbolt rear units:



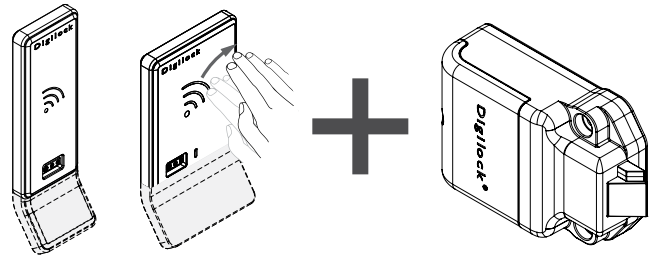
Present hand to reader to extend the bolt.
Present hand to reader again to retract the bolt.

For keypad locks with deadlatch rear units:



Press **C** **0** to retract the latch.
The latch will extend automatically.

For touch-free RFID locks with deadlatch rear units:



Present hand to reader to retract the latch.
The latch will extend automatically.

Repeat test with the door closed.

If ten rapid beeps are heard, the strike plate or door alignment may need adjustment to allow the lock to operate properly.

If the door does not lock when the bolt/latch is extended, the strike plate or lock position may need adjustment.

WARRANTY

LIMITED WARRANTY. Company warrants to the original purchaser of Product manufactured by Company to be free of defects in material and workmanship, provided: (1) Company has been notified of such defects within two years of purchase date and been given the opportunity of inspection by return of any alleged defective Product to Company, or its authorized distributor, free and clear of liens, encumbrances, transportation prepaid, accompanied by the statement of defects and proof of purchase; and (2) Product has not been subject to modification, abuse, misuse, mishandling, misapplication, neglect (including but not limited to improper maintenance), accident, improper installation, alteration and/or modification (including but not limited to use of unauthorized parts or attachments), disassembly, or adjustment or repair performed by anyone other than an authorized service personnel during such period; and (3) such defect has not been caused by corrosion or ordinary wear and tear. This warranty does not cover batteries, normal wear and tear of parts and/or damage resulting from any of the following: negligent use or misuse of product, use of improper voltage or current, and/or use contrary to operating instructions. The exclusive remedy shall not be deemed to have failed of its essential purpose so long as Company is willing and able to repair or replace non-conforming Product in the prescribed manner.

Unless the product is listed as IP55 rated or otherwise expressed by Company on the sales order acknowledgement, Product is not designed or intended for exterior use or where exposed to moisture. Any use where Product is exposed to moisture is not covered by any warranties and voids any warranties and any resulting damage caused by direct exterior exposure or moisture is at the Buyer's own risk.

The liability of Company for any breach of the foregoing warranty shall not extend to dismantling, installing or reinstalling, but shall be limited to repairing or replacing said items, as Company's option, within a reasonable time after receipt of written notice from Buyer, within the period of time stipulated herein, of any such non-conforming Product, provided that (i) such notice is given immediately upon the detection of such non-conformance and (ii) such notice is received within the time period stipulated herein. BUYER AND COMPANY EXPRESSLY AGREE THAT THE BUYER'S SOLE AND EXCLUSIVE REMEDY AGAINST COMPANY SHALL BE FOR THE REPAIR OR REPLACEMENT (AT COMPANY'S OPTION) OF NON-CONFORMING PRODUCT AS PROVIDED HEREIN.

COMPANY SPECIFICALLY DISCLAIMS ANY OTHER WARRANTIES, EXPRESS, IMPLIED, OR STATUTORY, INCLUDING WITHOUT LIMITATION THE IMPLIED WARRANTY OF FITNESS FOR A PARTICULAR PURPOSE AND THE IMPLIED WARRANTY OF MERCHANTABILITY, AND COMPANY ALSO SPECIFICALLY DISCLAIMS ANY LIABILITY FOR CONSEQUENTIAL OR INCIDENTAL DAMAGES. IN NO EVENT SHALL COMPANY BE LIABLE FOR INCIDENTAL OR CONSEQUENTIAL DAMAGES ARISING OUT OF OR IN CONNECTION WITH THIS AGREEMENT (INCLUDING BUT NOT LIMITED TO BREACH OF ANY OBLIGATION IMPOSED ON COMPANY HEREUNDER OR IN CONNECTION HERewith) OR THE USE, STORAGE, DISPOSAL OR HANDLING OF PRODUCT. Consequential damages for purposes hereof shall include, without limitation, loss of use, income or profit, shutdown, slowdown or stoppage of any production line or facility, or losses sustained as the result of injury (including death) to any person, or loss of or damage to property (including without limitation property handled or processed by the use of Product). Buyer shall indemnify Company against all liability, cost or expense which may be sustained by Company on account of any such loss, damage or injury.

Company will not evaluate warranted Product without Buyer obtaining a Return Merchandise Authorization (RMA) number from Company. Such returns must be prominently marked with the RMA number and shipped prepaid.

Company makes no other warranty, and the warranty is limited to the duration of the expressed warranty period as set forth above.

NOTE: Should Product be considered a consumer product as may be covered by the Magnusson Moss Federal Warranty Act, please be advised that: (1) some states do not allow limitations on incidental consequential damages or how long an implied warranty lasts so that the above limitations may not fully apply; (2) this warranty gives specific legal rights, and a buyer may also have other rights which may vary from state to state.

LIMITATION OF LIABILITY. Company's maximum liability for any damages resulting from or caused by Product, whether in contract, tort, or otherwise, is limited to the purchase price of Product. In no event shall Company be liable for any consequential damages of any nature arising from the sale or use of Product, whether in contract, tort or otherwise, by either use or purchase of Product, the user or purchaser agrees to this limit on Company's liability. Company is not responsible for any modification, addition or alteration to Product by others.

Company reserves the right to make changes in designs and specifications or to make additions or improvements on its products without notice and without incurring any obligation to incorporate them on products previously manufactured.

CONTACT INFORMATION

For inquiries regarding new products, please contact our sales department: 707 766 6000 x2 | sales@digilock.com

For replacement products, returns, or technical support, please contact our support department: 707 766 6000 x3 | support@digilock.com