

Horizontal Body



PRODUCT FEATURES

- All metal housing
- IP55 rated, FCC, CE, and IC certified
- Brushed nickel or black finish
- Slim 0.33" (8.5mm) profile
- Visual and audible indicators
- Advanced auto unlock
- ADA compliant
- Non-handed
- With or without pull handle
- Available in standard, vertical, or horizontal body type

FUNCTIONALITY

- Dual functionality - shared or assigned use
- Manage with the Basic or Advanced system

INSTALLATION

- Designed for both new or retrofit installations
- Adaptable to multiple door thicknesses
- 1/2" (12.7mm) motorized deadbolt locking mechanism
- Snap-lock cable connector (patented)

POWER

- Up to 5 years battery life with average use
- Powered by 4 premium AA batteries

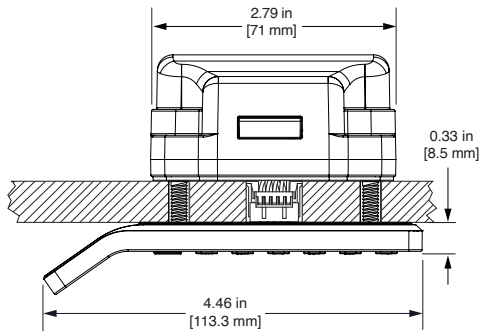
SUPPORT

- Onsite product updates
- Lifetime Support
- 2-year warranty

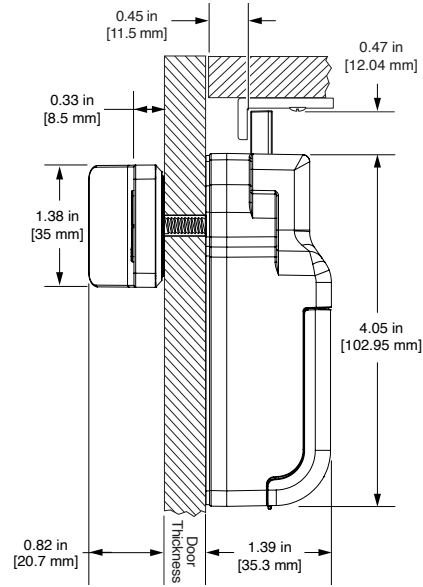


Horizontal Body

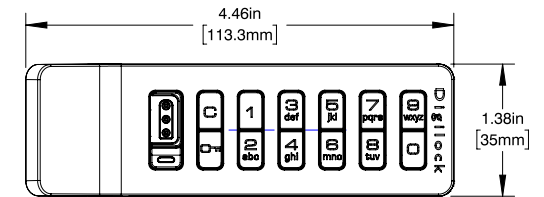
TOP VIEW



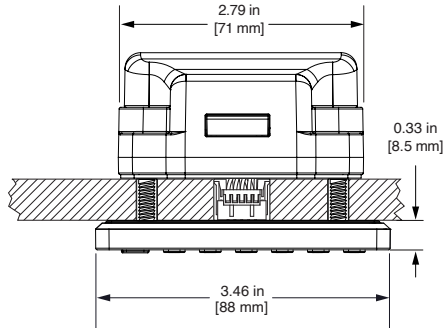
SIDE VIEW



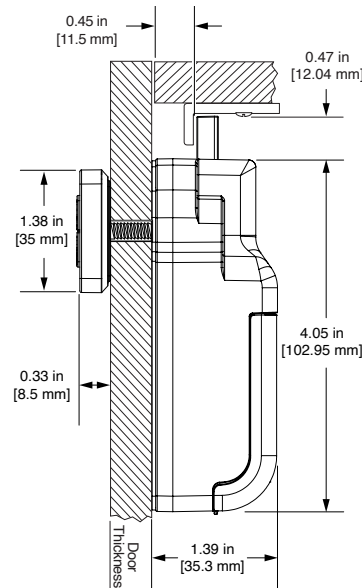
FRONT VIEW



TOP VIEW



SIDE VIEW



FRONT VIEW

